

## CONNECTOR CABLES

### IDENTIFICATION

#### 1. GENERAL

1.01 This section provides identification and ordering information for the A- and B-type connector cables used to terminate equipment and apparatus on customer premises.

1.02 This section is reissued to:

- Add information on the B25G connector cable in Table A and Fig. 11
- Add information on the B50C connector cable in Table A and Fig. 13
- Rate the A25M connector cable MD; recommended replacement cable is A25K (Table A)
- Change Table A to show application of KS-16785,L16 plug and KS-16690,L12 receptacle
- Substitute the word "receptacle" for "connector" when referring to female type connecting devices; "connector" is a general term including both plugs (male) and receptacles (female).

1.03 The solderless connectors will be supplied with either metal or plastic hoods on the A25B, A25D, A25M, B25A, and B25C cables. These cables will also continue to be manufactured with soldered connectors having metal hoods. The solderless plugs and receptacles are coded as follows:

- KS-21443,L2 (plastic hood) and KS-16689,L18 (metal hood) plug—replace KS-16689,L3
- KS-21442,L2 (plastic hood) and KS-16690,L12 (metal hood) connector—replace KS-16690,L1

1.04 Adapters, service fittings, terminals, and cover assemblies, for use with connector

cables and cords, are covered in the appropriate section in Division 461.

#### 2. IDENTIFICATION

2.01 **Purpose:** To provide a quick means for connecting inside wire cable to telephone apparatus by mating KS-type receptacles to matching plugs (Fig. 1).

2.02 **Design Features:** The A- and B-type connector cables consist of the following:

- 24-gauge conductors that have a tinned or untinned finish
- Vinyl insulation, which conforms to the even-count color-code scheme, on individual conductors
- Outer jackets of light olive gray vinyl
- Cables equipped with 50-contact plug(s) or receptacle(s) except as noted in Table A
- Nylon draw string under vinyl jacket which facilitates removal of the jacket for terminating conductors.



*Plugs and receptacles used on these cables are neither waterproof nor moistureproof. A terminal box, service fitting, or cover assembly should be used at installations where moisture might enter the connectors through mopping operations, condensation, etc.*

2.03 A-type connector cables are furnished as single-ended (one end equipped, the other raw-ended) or double-ended (both ends equipped with the same KS-type plug or receptacle). B-type cables are furnished double-ended only with a plug at one end and a receptacle on the opposite. The

#### NOTICE

Not for use or disclosure outside the  
Bell System except under written agreement





TABLE A

## A- AND B-TYPE CONNECTOR CABLES, SELECTION

CODE	CONDUCTOR FINISH	TOTAL NO. OF CONDUCTORS OR CONTACTS, EACH PLUG OR RECEPTACLE		NO. OF ARMS AT RECP OR PLUG END	NO. OF CONDUCTORS IN EACH ARM	RECEPTACLE OR PLUG	INTENDED USE	STANDARD AVAILABLE LENGTHS (IN FEET)¶	
		CONDUCTORS	CONTACTS					SINGLE-ENDED	DOUBLE-ENDED **
A12A‡	Tinned	24	24	1	24	KS-16785-L6 Plug	301 Sw Sys Equip in Airport Towers and Radar Rooms	4 and 8	
A12B‡			50			KS-16785-L8 or KS-16785-L16 Plug			
A12D	Untinned		24			KS-16690-L5 Receptacle	3A Comm Sys	13, 50, and 100	30, 80, 100, and 200
A12E		24	KS-16785-L6 Plug	AUTOVON - No. 309 Sw Sys	4 and 8				
A25A	Untinned*	50	50	1	50	KS-16671-L1 Plug†	6050 Keys	50 and 100	30, 80, 100, and 200
A25B						KS-16690-L1 or KS-21442-L2 Receptacle	564-, 565-, 634-, 2564-, 2565- and 2634-Type Telephone Sets	13, 50, 100, and 200	30, 80, 100, and 200
A25C	Tinned					KS-16785-L8 or KS-16785-L16 Plug	Consoles for Strategic Air Command Installations	Any length as specified	
A25D	Untinned*	KS-16589-L3 or KS-16689-L18 or KS-21443-L2 Plug	761A, 762A, and 812A PBX	13, 20, 22, 24, 25, 26, 50, 75, 100, 125, 150	3, 6, 9, 25, 50, 75, 100, 125, 150				
A25E	Tinned	1	50	1	50	KS-16671-L1 Plug†	6051 Key in Antiaircraft Operations Control System Battery Locations	Any length as specified	
A25F	KS-16690-L1 or KS-21442-L2 Receptacle						12B and 14B Apparatus Units in 2A and 3A ACD Systems§	50, 100, and 150	
A25K††	Tinned	1	50	1	50	KS-16690-L1 or KS-21442-L2 Receptacle	Shielded Connector Cable for use where RFI encountered in PICTUREPHONE® Installations	50, 100, and 200	
A25M (MD)††							Any length as specified		
A50A	Untinned*	100	50	2	50	KS-16671-L1 Plug†	6051 Keys	50 and 100	30, 80, 100, and 200
A50B						KS-16690-L1 or KS-16690-L12 Receptacle	610A, 635- and 2635-Type Telephone Sets	50, 100, 150, and 200	100 and 200
A50C						KS-16785-L8 or KS-16785-L16 Plug	Telephone Secretarial Service Concentrator-Identifier	50 and 100	

TABLE A (Contd)

## A- AND B-TYPE CONNECTOR CABLES, SELECTION

CODE	CONDUCTOR FINISH	TOTAL NO. OF CONDUCTORS OR CONTACTS, EACH PLUG OR RECEPTACLE		NO. OF ARMS AT RECP OR PLUG END	NO. OF CONDUCTORS IN EACH ARM	RECEPTACLE OR PLUG	INTENDED USE	STANDARD AVAILABLE LENGTHS (IN FEET)¶	
		CONDUCTORS	CONTACTS					SINGLE-ENDED	DOUBLE-ENDED **
A50D (A&M Only)	Tinned	100	50	2	50	KS-16671-L1 Plug†	12A and 14A Apparatus Units in 2A and 3A ACD Systems §	50, 100, and 150	
A50E							12B and 14B Apparatus Units in 2A and 3A ACD Systems §		
A75A	Untinned*	150	50	3	50	KS-16690-L1 or KS-16690-L12 Receptacle	630D and 632A Key Tel Set; 584C Panel	6, 50, 100, 150, 200, and 250	30, 80, 100, and 200
A75B	Tinned					KS-16785-L8 or KS-16785-L16 Plug	618D Key and Amflite Indicator in No. 304 Sw Sys (NASA Projects)		
A100C	Untinned*	200	50	4	50	KS-16690-L1 or KS-16690-L12 Receptacle	4A and 6A Tel Consoles	50, 100, and 200	30, 80, 100, and 200
A100D				5	40	KS-16690-L1 Receptacle	608B, 631B, and 637A Key Tel Sets; replaces A100A(MD) Connector Cable		
A100E				4	50	KS-16785-L8 or KS-16785-L16 Plug	2A ACD System §	50	
A100F				Tinned		KS-16690-L1 or KS-16690-L12 Receptacle	3A Communications Systems	100	
A125A	Untinned*	250	50	5	50	KS-16690-L1 or KS-16690-L12 Receptacle	761A PBX Consoles for Hotel-Motel and small Hospital Systems	50, 75, and 100	

TABLE A (Contd)

## A- AND B-TYPE CONNECTOR CABLES SELECTION

CODE	CONDUCTOR FINISH	TOTAL NO. OF CONDUCTORS OR CONTACTS, EACH PLUG OR RECEPTACLE		NO. OF ARMS AT RECP OR PLUG END	NO. OF CONDUCTORS IN EACH ARM	RECEPTACLE OR PLUG	INTENDED USE	STANDARD AVAILABLE LENGTHS (IN FEET)¶	
		CONDUCTORS	CONTACTS					SINGLE-ENDED	DOUBLE-ENDED **
A150A	Untinned	300	50	6	50	KS-16690-L1 or KS-16690-L12 Receptacle (6)	Extension Cable for use between Attendant Console and 801A PBX Termination Field	50 and 100	
B25A						KS-16690-L1, KS-16690-L12, or KS-21442-L2 Receptacle	Extension Cable to Connect Plug-Ended Key Tel Sets to Receptacle or Plug-Equipped Bridging Terminals, Apparatus Cabinets, etc		5, 15, 30, 60, and 100
B25C		50	50	1	50	KS-16689-L3, KS-16689-L18, or KS-21443-L2 Plug	No. 6051 Keys, Terminal Strips arranged in tandem (1A1-1A2 KTS Only)		5-1/2
B25G						Same as B25C except it is equipped with 652A6D jack for adjuncts to 6051 keys			
B50A						KS-16690-L1 Receptacle	Extension Cable for use between 800A PBX and Console		50, 100, and 200
B50B		100	50	2		KS-16689-L3 Plug (2) KS-16671-L1 Plug (2)†	No. 6051 Keys, Terminal Strips arranged in tandem		8
B50C						Same as B50B except it is equipped with 652A6D jack for adjuncts to 6051 keys			
B75A		150	50	3		KS-16690-L1 Receptacle	Extension Cable for use between 800A PBX and Console		50, 100, and 200
B150A		300	50	6	50	KS-16689-L3 Plug (6) KS-16690-L1 Receptacle (6)	Extension Cable for use between Attendant Console and 801A PBX Termination Field		50 and 100

\* Previously furnished tinned.

† Each plug is assembled on a terminal frame or strip

‡ Wire braid shield extends over entire length of cable. It is terminated on the plug at one end and twisted into a pigtail at the free end.

§ Automatic Call Distributing Systems.

¶ When specified, any nonstandard length can be furnished.

\*\* Double-ended cables are terminated at both ends in the same type receptacle and/or plug as shown in the RECEPTACLE OR PLUG column.

†† Refer to Section 800-612-164 for additional information on shielded cable.



TABLE B

## A12A, A12B, A12D, AND A12E CONNECTOR CABLE IDENTIFICATION

CONDUCTOR COLOR	PLUG OR RECEPTACLE TERM. NO.			
	A12A	A12B	A12D	A12E
BL-W	1	1	1	1
W-BL	13	26	26	13
O-W	2	3	2	2
W-O	14	28	27	14
G-W	3	5	3	3
W-G	15	30	28	15
BR-W	4	7	4	4
W-BR	16	32	29	16
S-W	5	9	5	5
W-S	17	34	30	17
BL-R	6	11	6	6
R-BL	18	36	31	18
O-R	7	13	7	7
R-O	19	38, 39, 40†	32	19
G-R	8	14	8	8
R-G	20	15	33	20
BR-R	9	16	9	9
R-BR	21	41, 42, 43†	34	21
S-R	10	17	23	10
R-S	22	18	48	22
BL-BK	11	19	24	11
BK-BL	23	44	49	23
O-BK	12	20	25	12
BK-O	*	45	50	24
Shield Pigtail	24	50		

\* Cut off at plug end.

† Terminals strapped in plug.

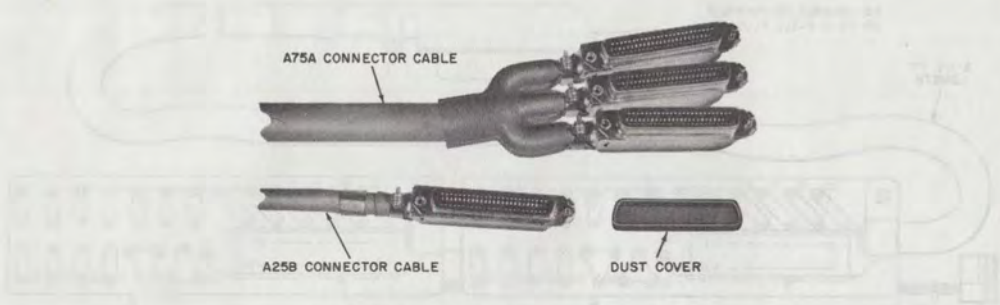


Fig. 1—Typical Cable Connectors With Dust Cover Removed

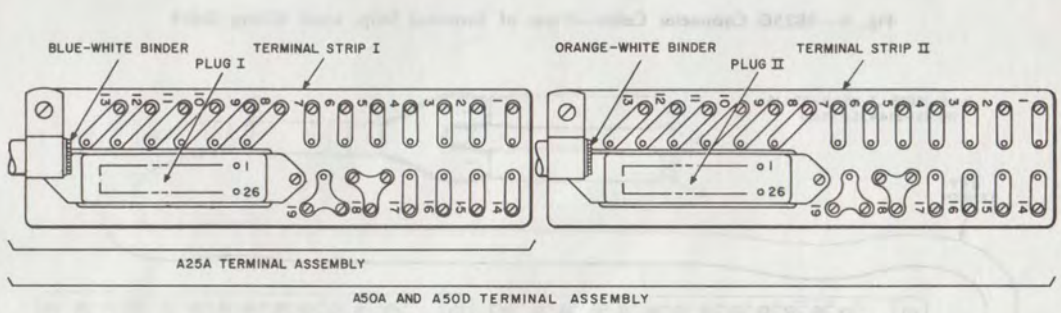


Fig. 2—View of Terminal Strip, Local Wiring Side

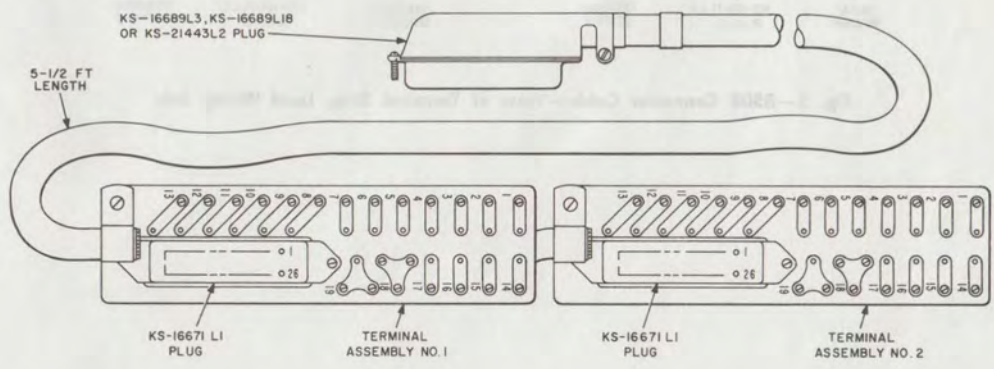


Fig. 3—B25C Connector Cable—View of Terminal Strip, Local Wiring Side

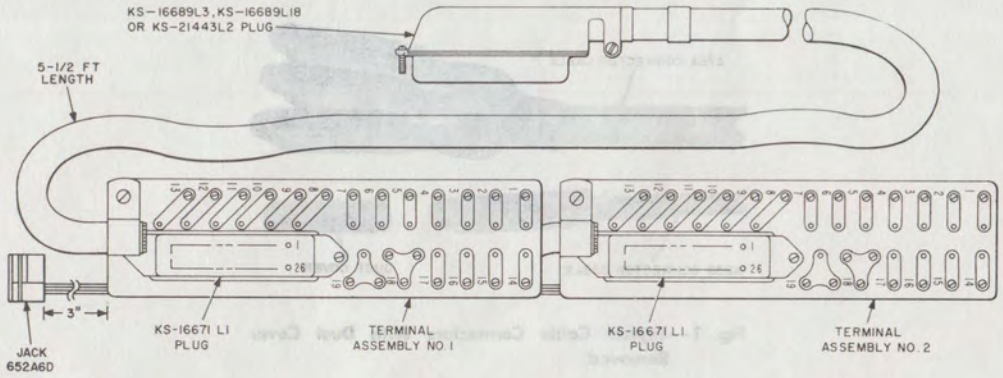


Fig. 4—B25G Connector Cable—View of Terminal Strip, Local Wiring Side

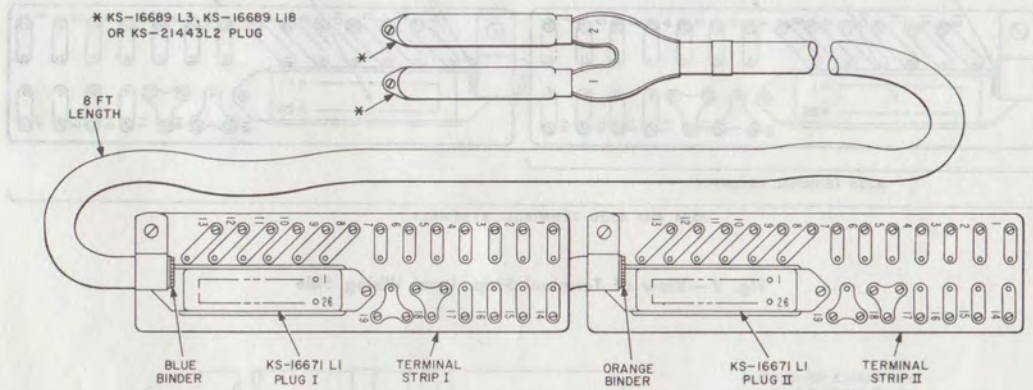


Fig. 5—B50B Connector Cable—View of Terminal Strip, Local Wiring Side



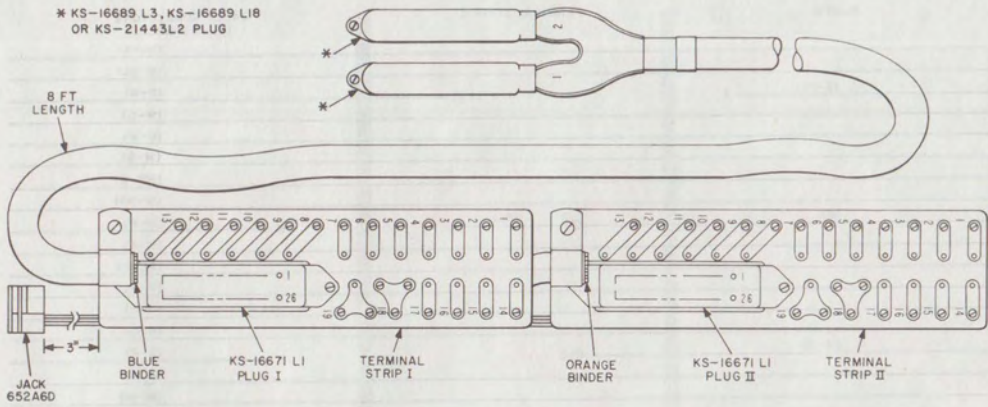


Fig. 6—B50C Connector Cable—View of Terminal Strip, Local Wiring Side







Fig. 7—A50A (O-W Binder) Connector Cable, Connections (Sheet 2 of 2)

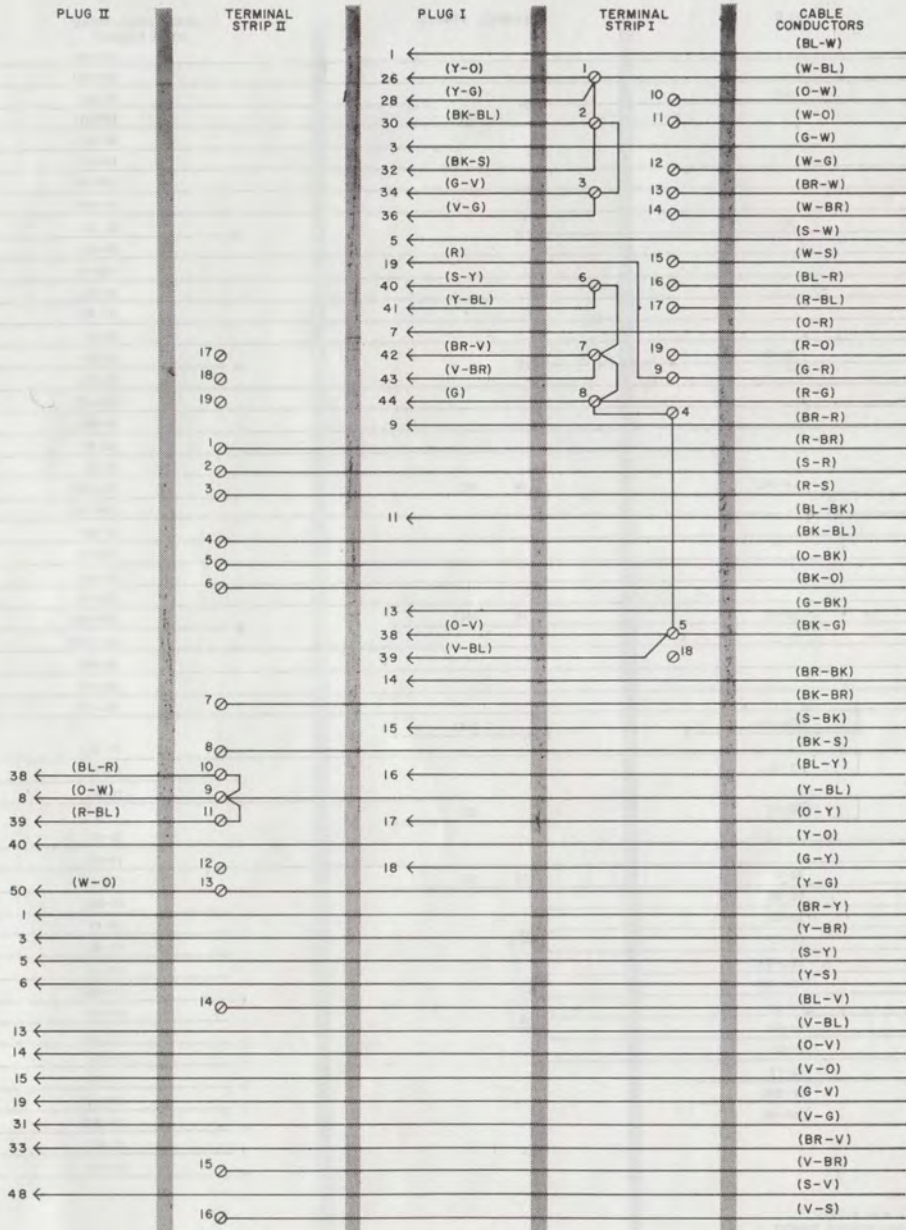


Fig. 8—A25E Connector Cable, Connections



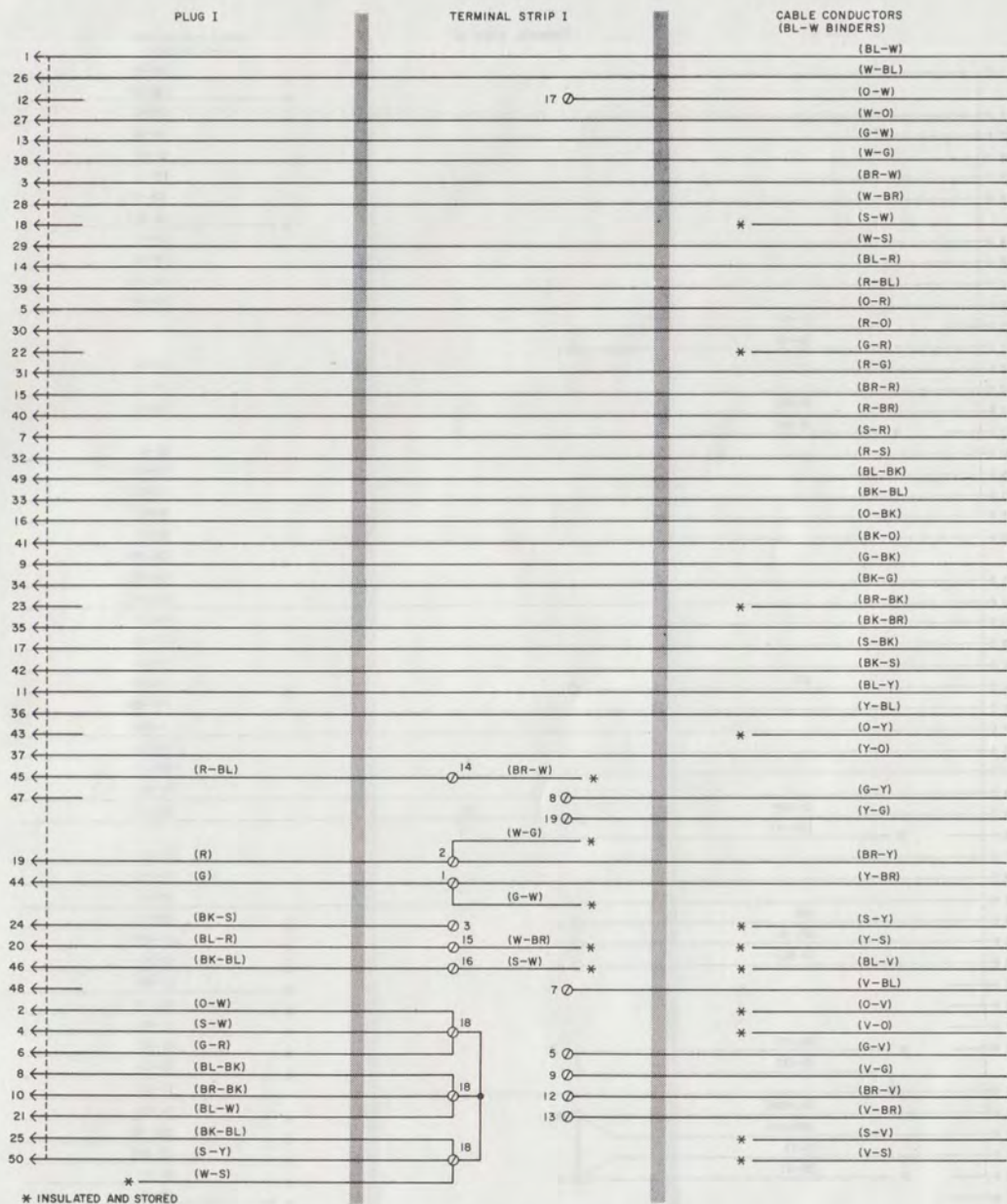


Fig. 9—A50D (BL-W Binder) Connector Cable, Connections (Sheet 1 of 2)





TERMINAL ASSEMBLY NO. 2

TERMINAL ASSEMBLY NO. 1

CABLE CONDUCTORS

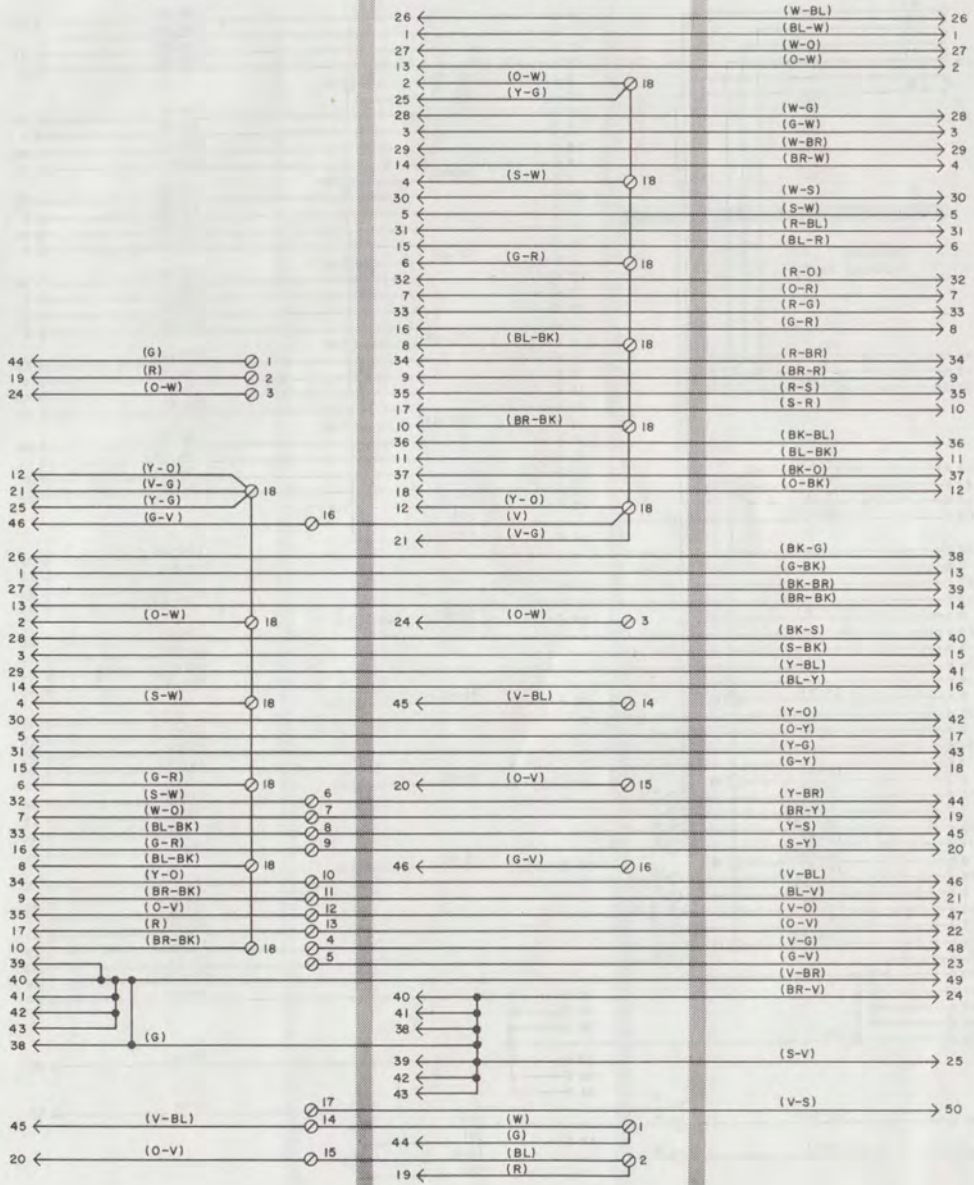


Fig. 10—B25C Connector Cable, Connections



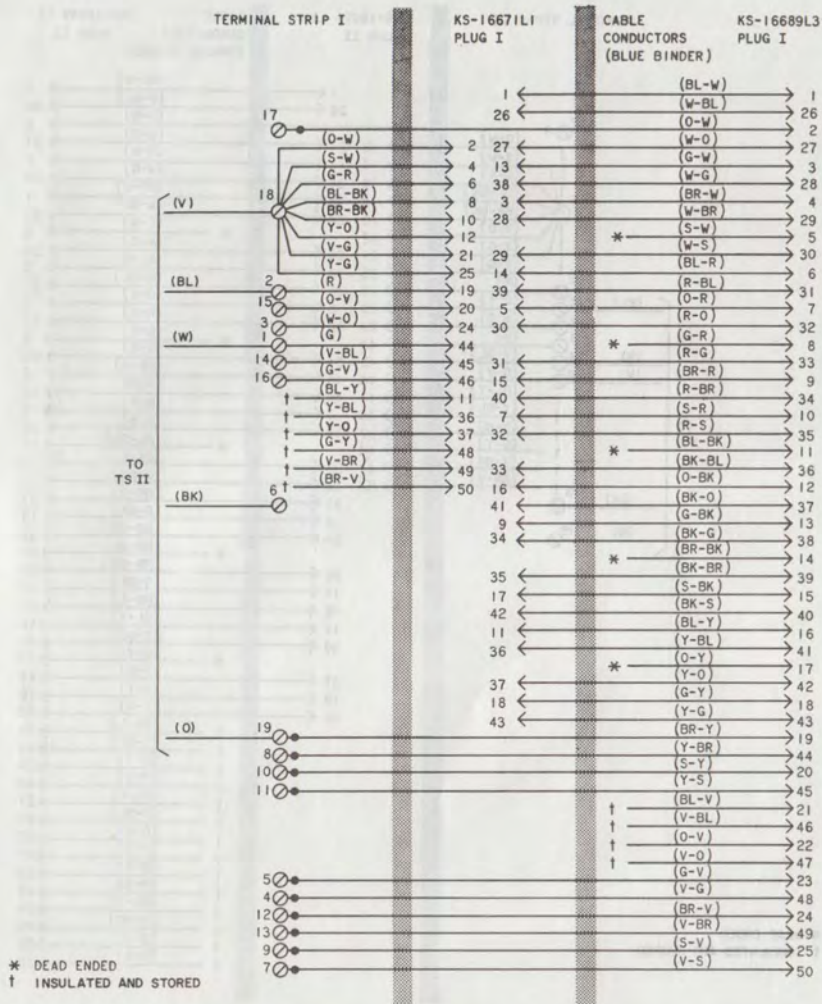


Fig. 12—B50B (BL Binder) Connector Cable, Connections (Sheet 1 of 2)



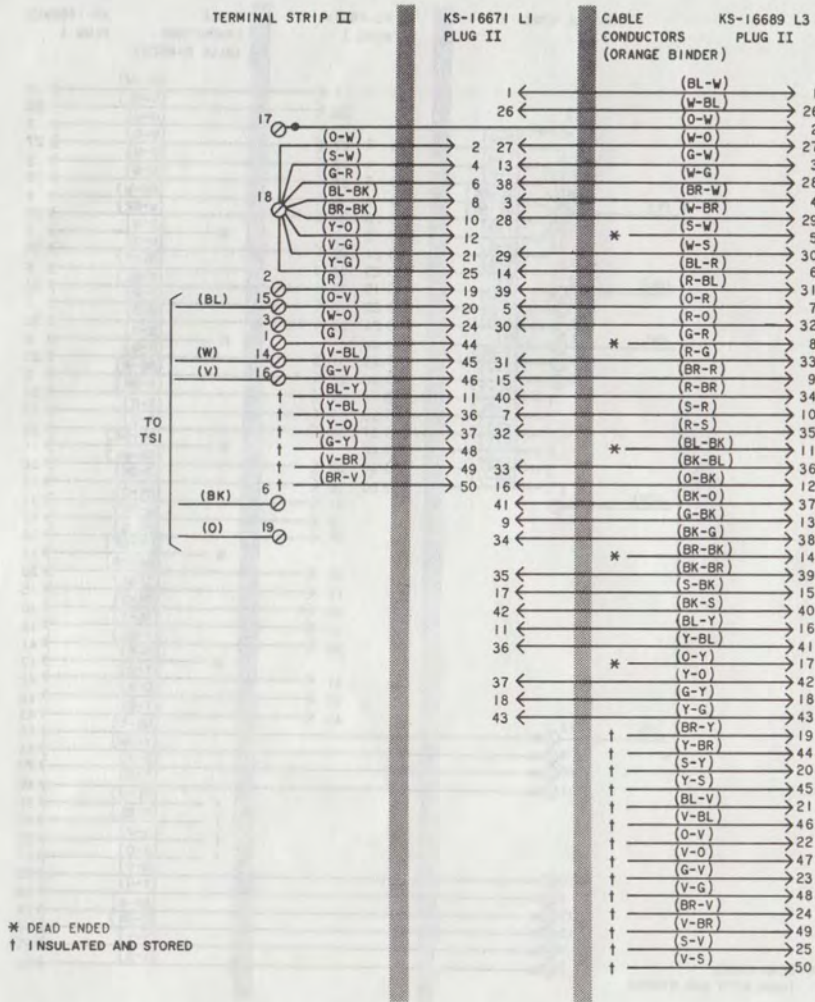


Fig. 12—B50B (0 Binder) Connector Cable, Connections (Sheet 2 of 2)

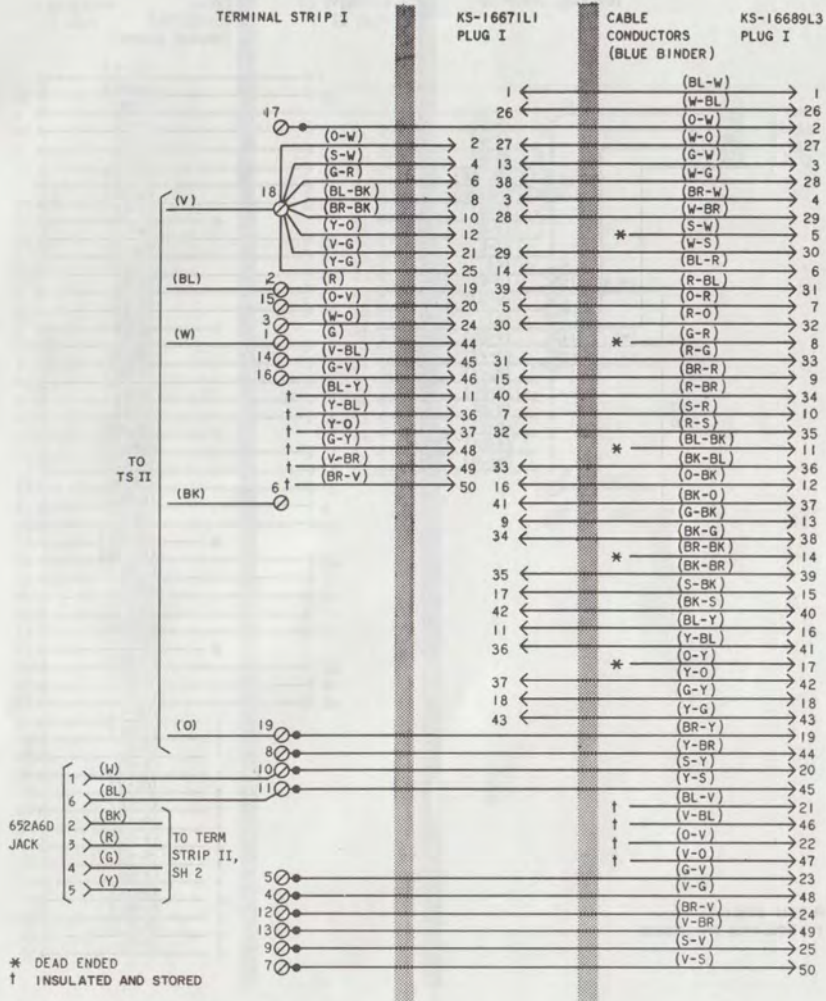


Fig. 13—B50C (BL Binder) Connector Cable, Connections (Sheet 1 of 2)

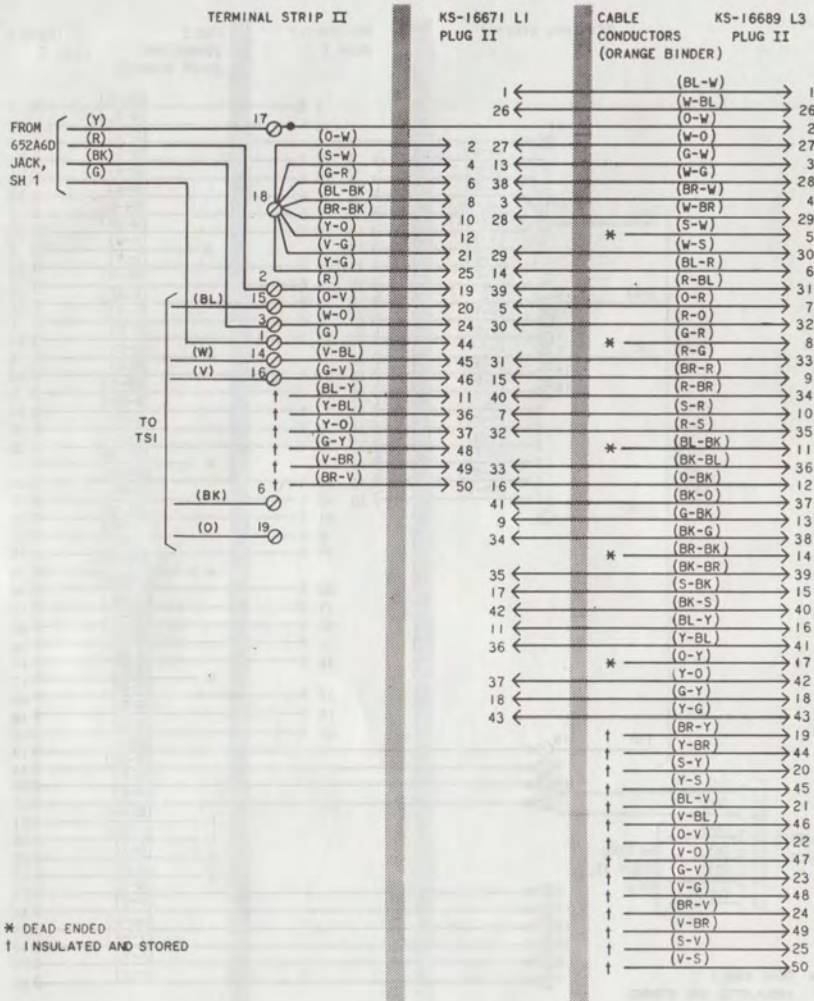


Fig. 13—B50C (0 Binder) Connector Cable, Connections (Sheet 2 of 2)